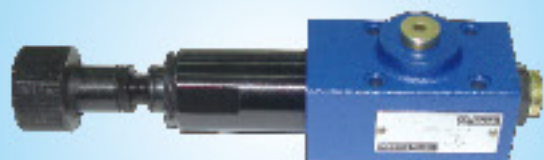




Huade



Hydraulic valves



Pressure Valves

Catalogue



BEIJING HUADE HYDRAULIC INDUSTRIAL GROUP CO.,LTD.

CONTENTS

Pressure Valves

No.	Name	Type	Size	Pressure max.(MPa)	Page
1	Pressure remote relief valve	DBT/DBWT		31.5	1
2	Pressure relief valve , direct operated	DBD	6~30	63	5
3	Direct operated pressure relief valve,sandwich plate	Z2DBD6	6	31.5	11
4	*Pilot operated pressure relief Valve,sandwich plate	ZDB/Z2DB	6	31.5	15
5	Pilot operated pressure relief valve,sandwich plate	ZDB/Z2DB	10	31.5	21
6	Pilot operated pressure relief valve,cartridge connection	DB...K	6、10、20	31.5	27
7	Pressure relief valve	DB/DBW...30B/...	10~30	31.5	37
	Pressure relief valve(New series)	DB/DBW...50B/ ...	10~32	35	43
8	Pressure relief valves	DB3U	10~30	31.5	53
9	*Check-Q-meter	DC	10~30	31.5	61
10	Pressure reducing valve direct operated,sandwich plate	ZDR6D...30B	6	21	67
	*Pressure reducing valve direct operated,sandwich plate (New series)	ZDR6D...40B	6	21	71
11	*Pressure reducing valve	ZDR6DP0...40B/40YM	6	4.0	75
12	Direct operated pressure reducing valve,sandwich plate	ZDR10D...40B/	10	21	79
13	*Direct operated pressure reducing valve,sandwich plate(New series)	ZDR10D-50B/	10	21	83
14	*Pressure reducing valve direct operated	DR5DP	5	31.5	87
	*Pressure reducing valve direct operated	DR6DP	6	21	91
	*Pressure reducing valve direct operated	DR10DP	10	21	95



CONTENTS

Pressure Valves

No.	Name	Type	Size	Pressure max.(MPa)	Page
15	Pilot operated pressure reducing Valve	DR...30B/...	10、20、30	31.5	99
	*Pilot operated pressure reducing Valve (New series)	DR...50B/	10~25	31.5	105
16	*Direct operated pressure sequence Valve	DZ5DP	5	31.5	111
	*Direct operated pressure sequence valve	DZ6DP	6	31.5	115
	*Direct operated pressure sequence valve	DZ10DP	10	21	119
17	Pressure sequence valve pilot operated	DZ...30B/	10~30	21	123
	*Pressure sequence valve pilot operated (New series)	DZ...-50B/	10、20、30	31.5	129
18	Pressure shut-off valve pilot operated	DA/DAW...-30B/	10、20、30	31.5	135
	*Pressure shut-off valve pilot operated (New series)	DA/DAW...-50B/	10、20、30	31.5	141
19	Subplate	—	—	—	148

* * : New products, for ordering, please consult us, telephone:+86-10-69083290



Other Huade Hydraulics Catalogues for Valves

- Directional Valves
- Flow Control Valves
- Proportional Valves
- Cartridge Valves

BEIJING HUADE HYDRAULIC INDUSTRIAL GROUP CO.,LTD.	Pressure reducing valve, type ZDR6DP0...40B/40YM			RE 26700/12.2004
	Size 6	up to 4.0 MPa	up to 7L/min	

Features:

- Sandwich plate design



Functional description,section

Pressure reducing valves type ZDR 6 DP0...40B/40YM are pressure reducing valves of sandwich plate design. It is used to reduce the system pressure.

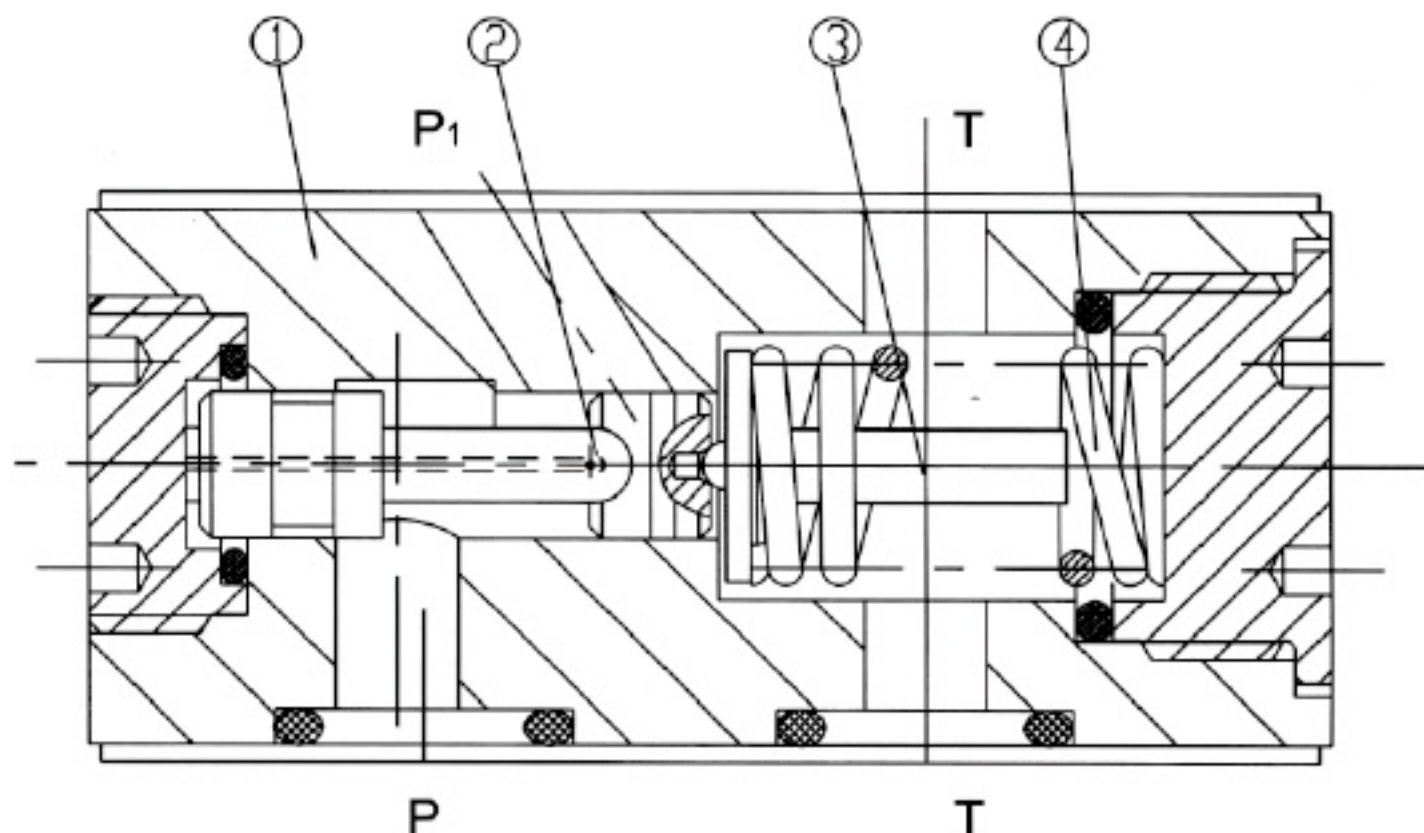
The pressure reducing basically valve consists of the housing (1), the control spool (2), a compression spring seating (3) and a compression spring (4).

At rest, the valve is normally open, and fluid can flow unhindered from port P to port P1. The pressure in port P1 is at the same time present at the spool area opposite to the compression spring (4). When the pres-

sure in port P1 exceeds the pressure level set at the compression spring (4) the control spool (2) moves into the control position against the compression spring (4) and holds the set pressure in port P1 constant.

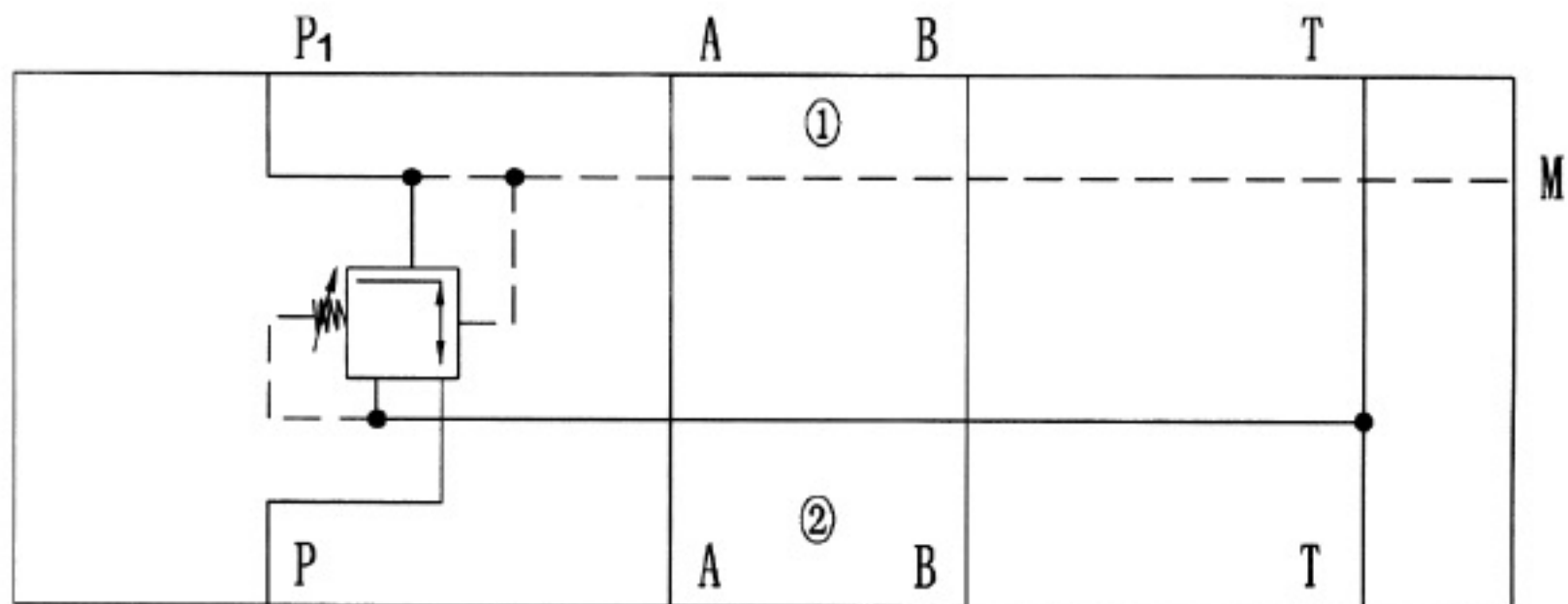
If the pressure in port P1 rises still further due to external forces, the control spool (2) is moved still further towards the compression spring (4).

Sufficient fluid then flows to tank to prevent any further rise in pressure. The spring chamber is always drained to tank externally via drilling to port T (Y).



Symbols (① =valve side , ② =subplate side)

ZDR6DPO...-40B/...YM...



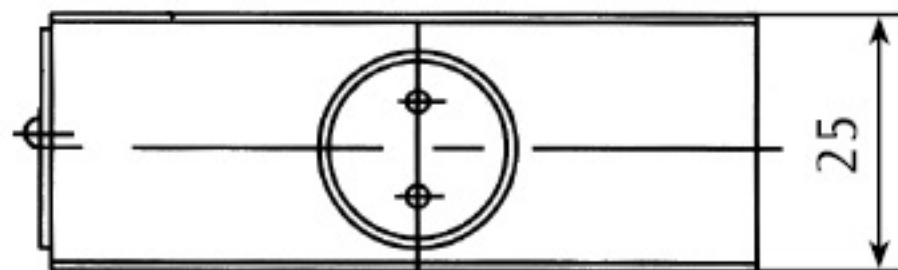
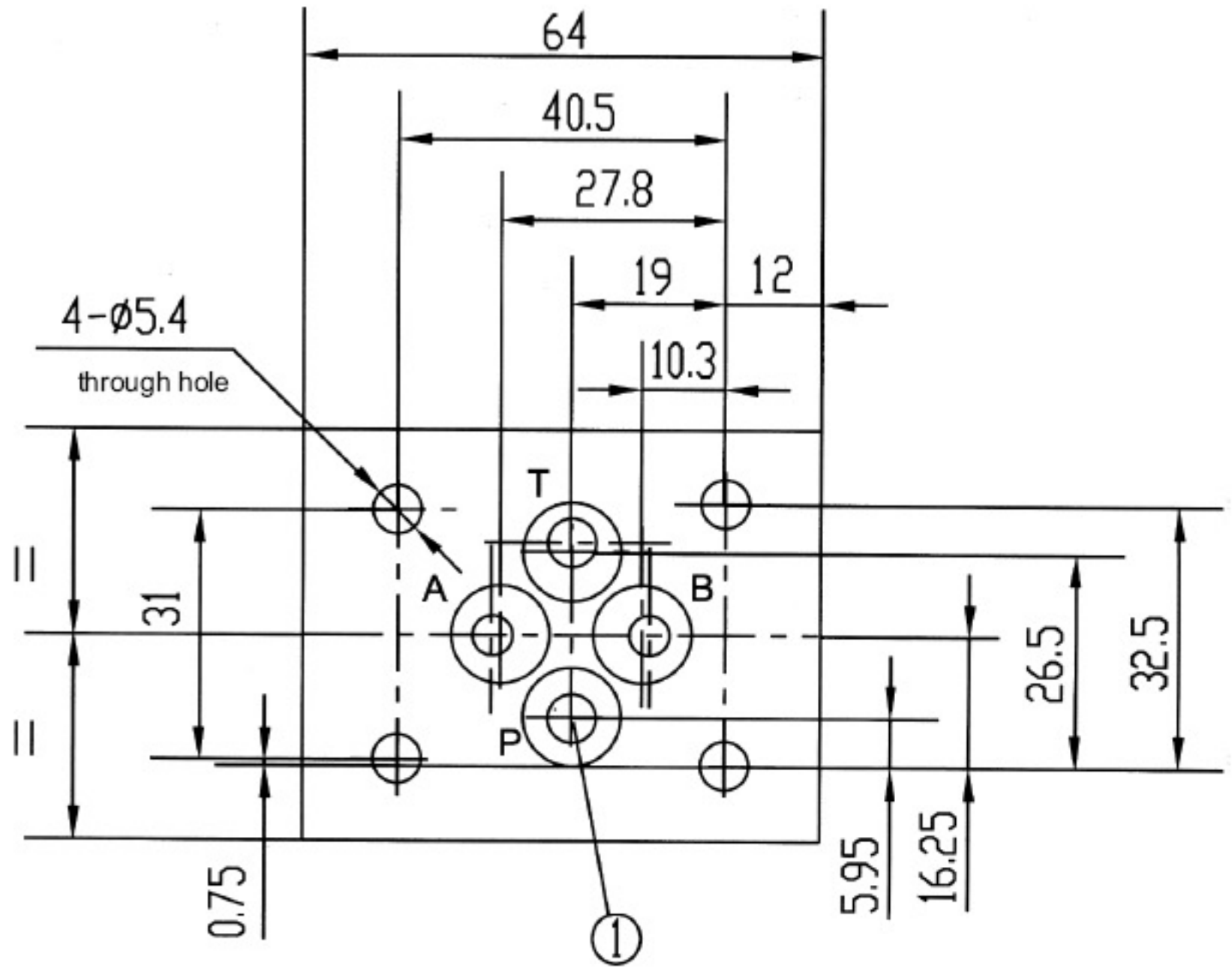
Ordering details

Z DR 6 D P O -40 B/ 40 Y M *

Sandwich plate design = Z												Further details in clear text
Pressure reducing valve = DR												No code. = mineral oils V = phosphate ester
Nominal Size 6 = 6												M = without check valve
Direct operated = D												Y = Pilot oil feed internal, drain external
Pressure reduction in port P1 = P												40 = max. secondary pressure 4 MPa
Outlet pressure fixed = O												
Series 40 to 49 = 40 (40 to 49 = unchanged installation and connection dimensions)												
Technology of Beijing Huade Hydraulic = B												

Technical data (For applications outside these parameters, please consult us!)

Pressure fluid		Mineral oil (for NBR seal) or phosphate ester (for FPM seal)
Pressure fluid - temperature range (°C)		-30 to +80
Viscosity range (mm ² /s)		10 to 800
Degree of fluid contamination		recommend a filter with a minimum retention rate of $\beta_{10} \geq 75$
Max. operating pressure Port P (MPa)		up to 30
Secondary pressure (output) (MPa)		up to 4
Back pressure Ports T (Y) (MPa)		up to 16
Max. flow (L/min)		up to 7



NOTICE

1. The fluid must be filtered. Minimum filter fineness is 20 μm .
2. The tank must be sealing up and an air filter must be installed on air entrance.
3. Products without subplate when leaving factory, if need them, please ording specially.
4. Vavle fixing screws must be high intensity level (class 10.9). Please select and use them according to the parameter listed in the sample book.
5. Roughness of surface linked with the valve is required to $\sqrt{0.8}$.
6. Surface finish of mating piece is required to 0.01/100mm.