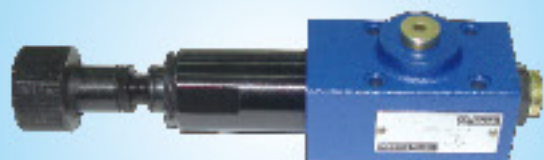




**Huade**



**Hydraulic valves**



**Pressure Valves**

**Catalogue**



**BEIJING HUADE HYDRAULIC INDUSTRIAL GROUP CO.,LTD.**

# CONTENTS

## Pressure Valves

| No. | Name   | Type               | Size    | Pressure max.(MPa) | Page |
|-----|--|--------------------|---------|--------------------|------|
| 1   | Pressure remote relief valve   | DBT/DBWT           |         | 31.5               | 1    |
| 2   | Pressure relief valve ,<br>direct operated                           | DBD                | 6~30    | 63                 | 5    |
| 3   | Direct operated pressure relief valve,sandwich plate                 | Z2DBD6             | 6       | 31.5               | 11   |
| 4   | *Pilot operated pressure relief Valve,sandwich plate                 | ZDB/Z2DB           | 6       | 31.5               | 15   |
| 5   | Pilot operated pressure relief valve,sandwich plate                  | ZDB/Z2DB           | 10      | 31.5               | 21   |
| 6   | Pilot operated pressure relief valve,cartridge connection            | DB...K             | 6、10、20 | 31.5               | 27   |
| 7   | Pressure relief valve  | DB/DBW...30B/...   | 10~30   | 31.5               | 37   |
|     | Pressure relief valve(New series)                                    | DB/DBW...50B/ ...  | 10~32   | 35                 | 43   |
| 8   | Pressure relief valves   | DB3U               | 10~30   | 31.5               | 53   |
| 9   | *Check-Q-meter   | DC                 | 10~30   | 31.5               | 61   |
| 10  | Pressure reducing valve direct operated,sandwich plate               | ZDR6D...30B        | 6       | 21                 | 67   |
|     | *Pressure reducing valve direct operated,sandwich plate (New series) | ZDR6D...40B        | 6       | 21                 | 71   |
| 11  | *Pressure reducing valve   | ZDR6DP0...40B/40YM | 6       | 4.0                | 75   |
| 12  | Direct operated pressure reducing valve,sandwich plate               | ZDR10D...40B/      | 10      | 21                 | 79   |
| 13  | *Direct operated pressure reducing valve,sandwich plate(New series)  | ZDR10D-50B/        | 10      | 21                 | 83   |
| 14  | *Pressure reducing valve direct operated                             | DR5DP              | 5       | 31.5               | 87   |
|     | *Pressure reducing valve direct operated                             | DR6DP              | 6       | 21                 | 91   |
|     | *Pressure reducing valve direct operated                             | DR10DP             | 10      | 21                 | 95   |



# CONTENTS

## Pressure Valves

| No. | Name   | Type           | Size     | Pressure max.(MPa) | Page |
|-----|--|----------------|----------|--------------------|------|
| 15  | Pilot operated pressure reducing Valve               | DR...30B/...   | 10、20、30 | 31.5               | 99   |
|     | *Pilot operated pressure reducing Valve (New series) | DR...50B/      | 10~25    | 31.5               | 105  |
| 16  | *Direct operated pressure sequence Valve             | DZ5DP          | 5        | 31.5               | 111  |
|     | *Direct operated pressure sequence valve             | DZ6DP          | 6        | 31.5               | 115  |
|     | *Direct operated pressure sequence valve             | DZ10DP         | 10       | 21                 | 119  |
| 17  | Pressure sequence valve pilot operated               | DZ...30B/      | 10~30    | 21                 | 123  |
|     | *Pressure sequence valve pilot operated (New series) | DZ...-50B/     | 10、20、30 | 31.5               | 129  |
| 18  | Pressure shut-off valve pilot operated               | DA/DAW...-30B/ | 10、20、30 | 31.5               | 135  |
|     | *Pressure shut-off valve pilot operated (New series) | DA/DAW...-50B/ | 10、20、30 | 31.5               | 141  |
| 19  | Subplate   | —              | —        | —                  | 148  |

\* \* : New products, for ordering, please consult us, telephone:+86-10-69083290



### Other Huade Hydraulics Catalogues for Valves

- Directional Valves
- Flow Control Valves
- Proportional Valves
- Cartridge Valves

|   |   |               |              |                  |
|---|---|---------------|--------------|------------------|
| BEIJING HUADE<br>HYDRAULIC INDUSTRIAL<br>GROUP CO.,LTD. | <b>Pressure reducing valve,<br/>type ZDR6DP0...40B/40YM</b> |               |              | RE 26700/12.2004 |
|   | Size 6  | up to 4.0 MPa | up to 7L/min |                  |

**Features:**

- Sandwich plate design



**Functional description,section**

Pressure reducing valves type ZDR 6 DP0...40B/40YM are pressure reducing valves of sandwich plate design. It is used to reduce the system pressure.

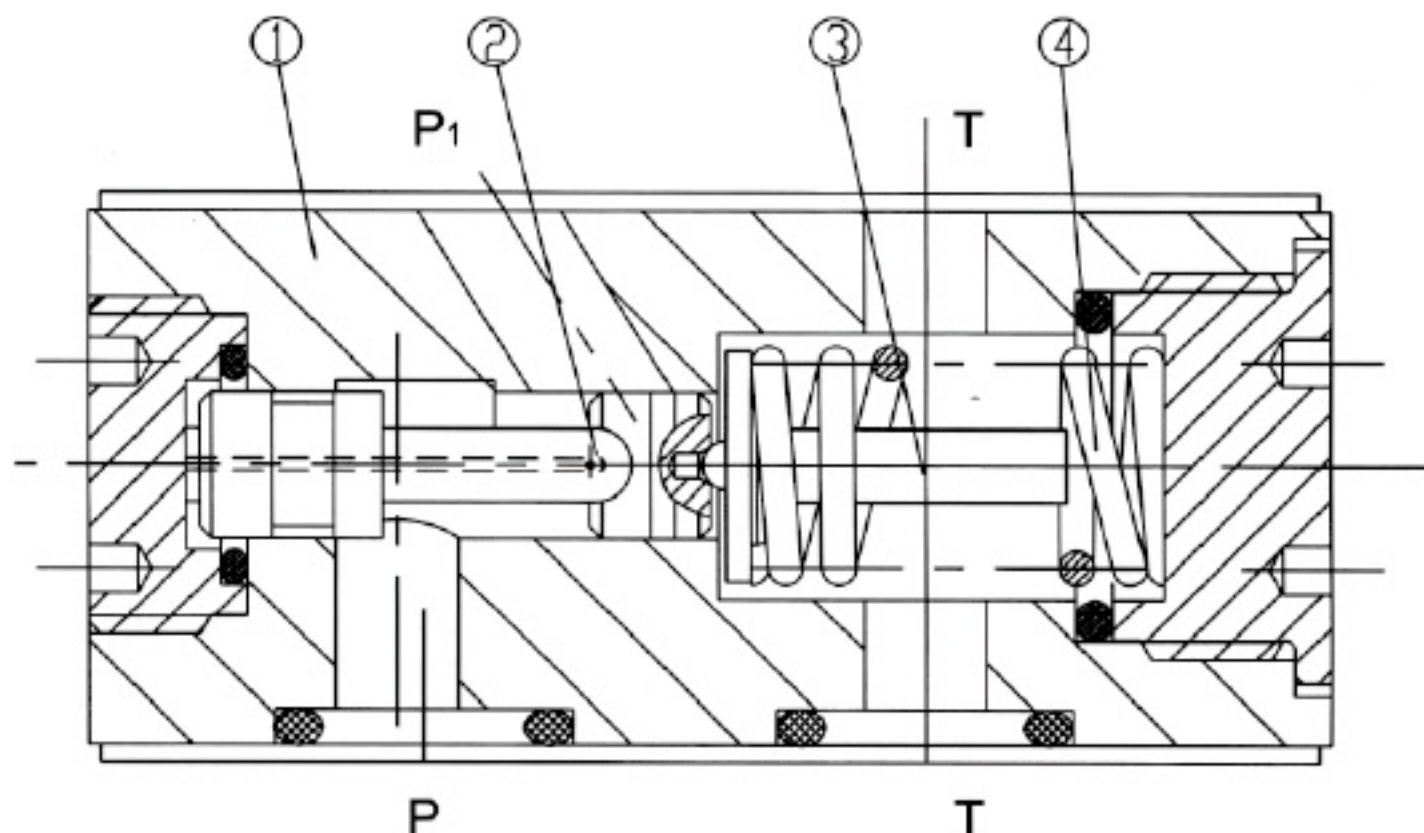
The pressure reducing basically valve consists of the housing (1), the control spool (2), a compression spring seating (3) and a compression spring (4).

At rest, the valve is normally open, and fluid can flow unhindered from port P to port P1. The pressure in port P1 is at the same time present at the spool area opposite to the compression spring (4). When the pres-

sure in port P1 exceeds the pressure level set at the compression spring (4) the control spool (2) moves into the control position against the compression spring (4) and holds the set pressure in port P1 constant.

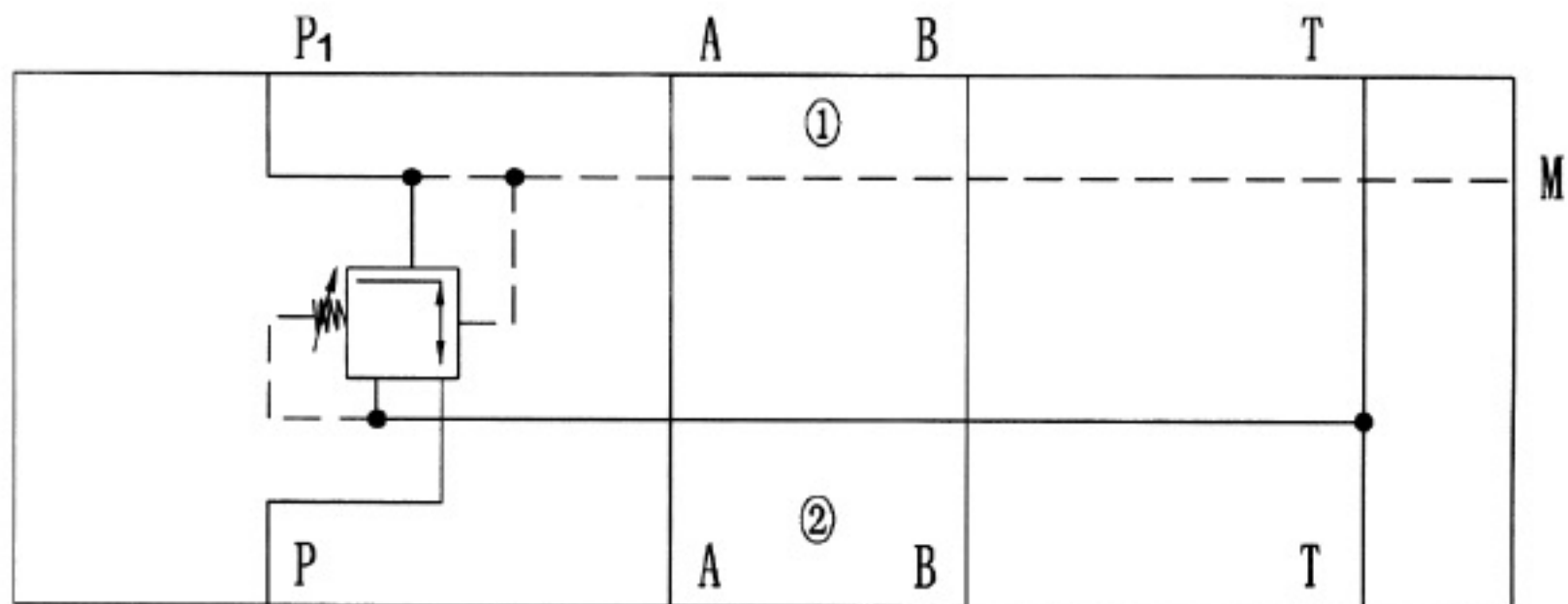
If the pressure in port P1 rises still further due to external forces, the control spool (2) is moved still further towards the compression spring (4).

Sufficient fluid then flows to tank to prevent any further rise in pressure. The spring chamber is always drained to tank externally via drilling to port T (Y).



**Symbols** (① =valve side , ② =subplate side)

ZDR6DPO...-40B/...YM...



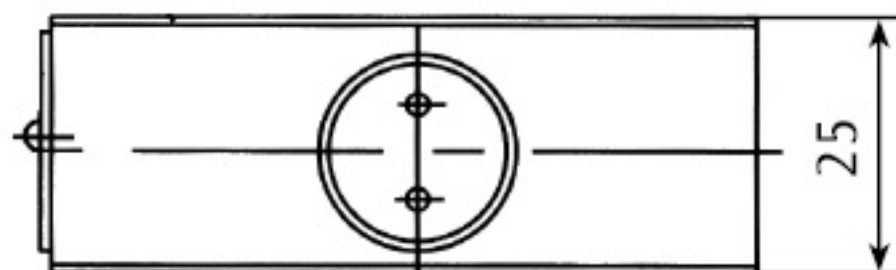
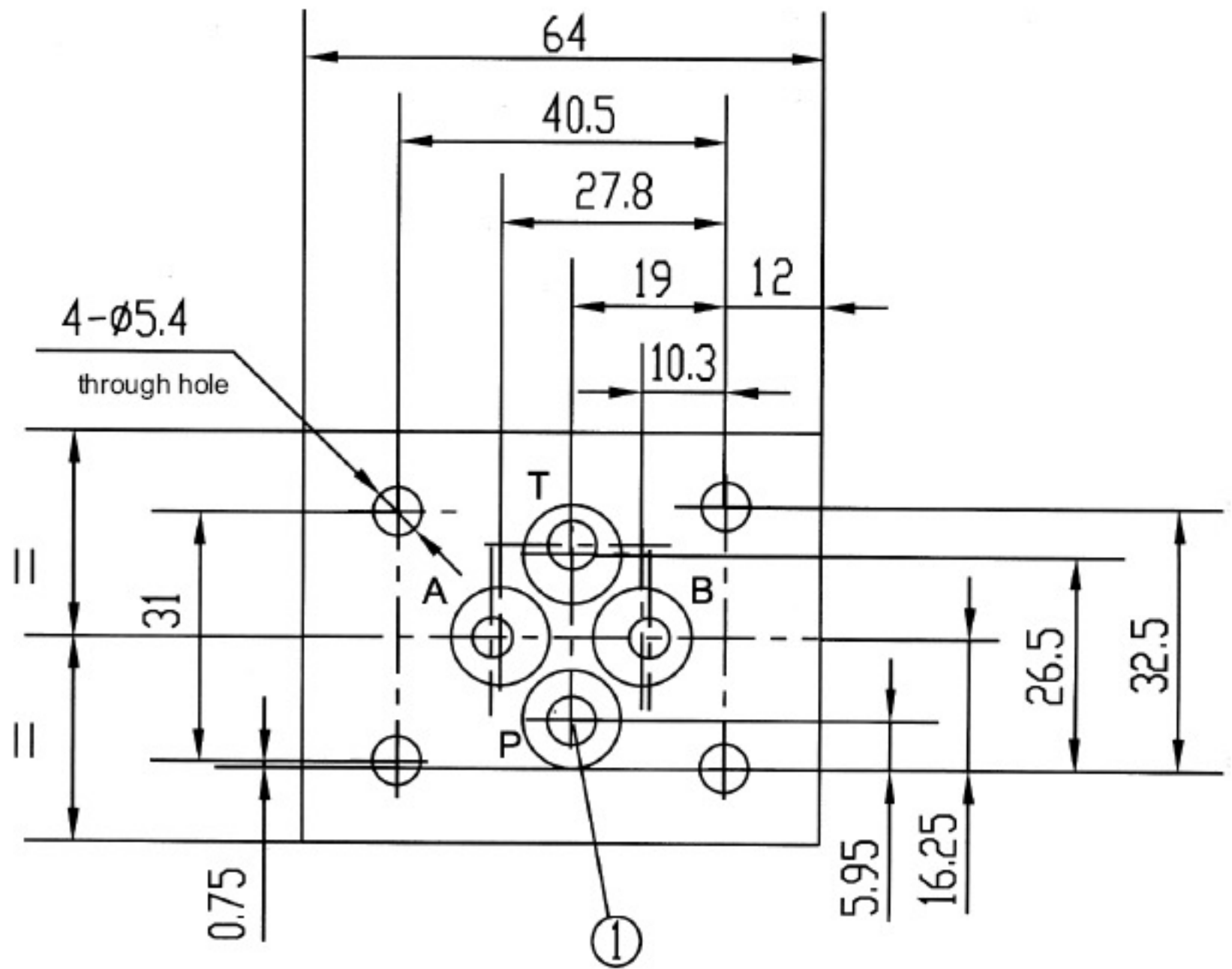
**Ordering details**

Z DR 6 D P O -40 B/ 40 Y M \*

|   |  |  |  |  |  |  |  |  |  |  |  |  |
|---|--|--|--|--|--|--|--|--|--|--|--|--|
| Sandwich plate design = Z   |  |  |  |  |  |  |  |  |  |  |  | Further details in clear text                  |
| Pressure reducing valve = DR  |  |  |  |  |  |  |  |  |  |  |  | No code. = mineral oils<br>V = phosphate ester |
| Nominal Size 6 = 6  |  |  |  |  |  |  |  |  |  |  |  | M = without check valve                        |
| Direct operated = D   |  |  |  |  |  |  |  |  |  |  |  | Y = Pilot oil feed internal, drain external    |
| Pressure reduction in port P1 = P   |  |  |  |  |  |  |  |  |  |  |  | 40 = max. secondary pressure 4 MPa             |
| Outlet pressure fixed = O   |  |  |  |  |  |  |  |  |  |  |  |  |
| Series 40 to 49 = 40<br>(40 to 49 = unchanged installation and connection dimensions) |  |  |  |  |  |  |  |  |  |  |  |  |
| Technology of Beijing Huade Hydraulic = B   |  |  |  |  |  |  |  |  |  |  |  |  |

**Technical data** (For applications outside these parameters, please consult us!)

|   |  |  |
|---|--|--|
| Pressure fluid                          |  | Mineral oil (for NBR seal) or phosphate ester (for FPM seal)             |
| Pressure fluid - temperature range (°C) |  | -30 to +80   |
| Viscosity range (mm <sup>2</sup> /s)    |  | 10 to 800  |
| Degree of fluid contamination           |  | recommend a filter with a minimum retention rate of $\beta_{10} \geq 75$ |
| Max. operating pressure Port P (MPa)    |  | up to 30   |
| Secondary pressure (output) (MPa)       |  | up to 4  |
| Back pressure Ports T (Y) (MPa)         |  | up to 16   |
| Max. flow (L/min)                       |  | up to 7  |



## NOTICE

1. The fluid must be filtered. Minimum filter fineness is 20  $\mu\text{m}$ .
2. The tank must be sealing up and an air filter must be installed on air entrance.
3. Products without subplate when leaving factory, if need them, please ording specially.
4. Vavle fixing screws must be high intensity level (class 10.9). Please select and use them according to the parameter listed in the sample book.
5. Roughness of surface linked with the valve is required to  $\sqrt{0.8}$ .
6. Surface finish of mating piece is required to 0.01/100mm.

## Notice

1. The fluid must be filtered. Minimum filter fineness is 20  $\mu\text{m}$ .
2. The tank must be sealing up and an air filter must be installed on air entrance.
3. Products without subplate when leaving factory, if need them, please ordering specially.
4. Valve fixing screws must be high intensity level (class 10.9). Please select and use them according to the parameter listed in the sample book.
5. Roughness of surface linked with the valve is required to  $\frac{0.8}{\sqrt{\text{ }}$ .
6. Surface finish of mating piece is required to 0.01/100mm.